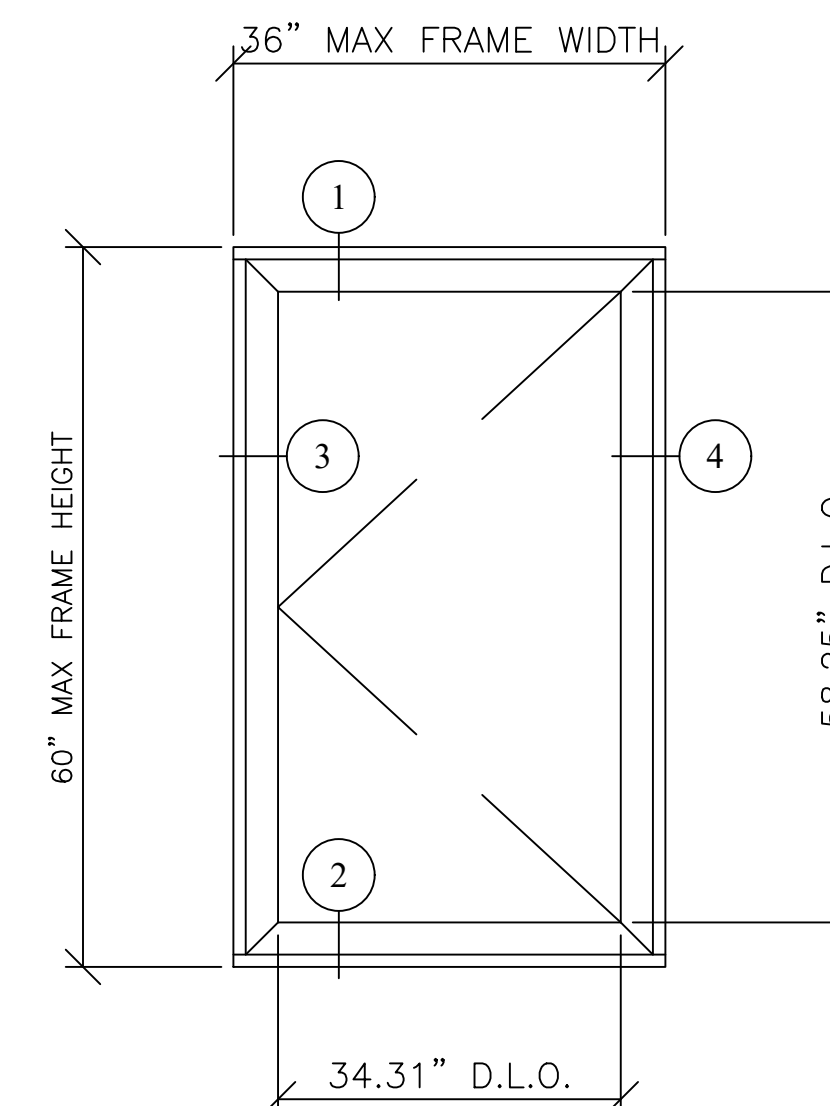


GENERAL NOTES

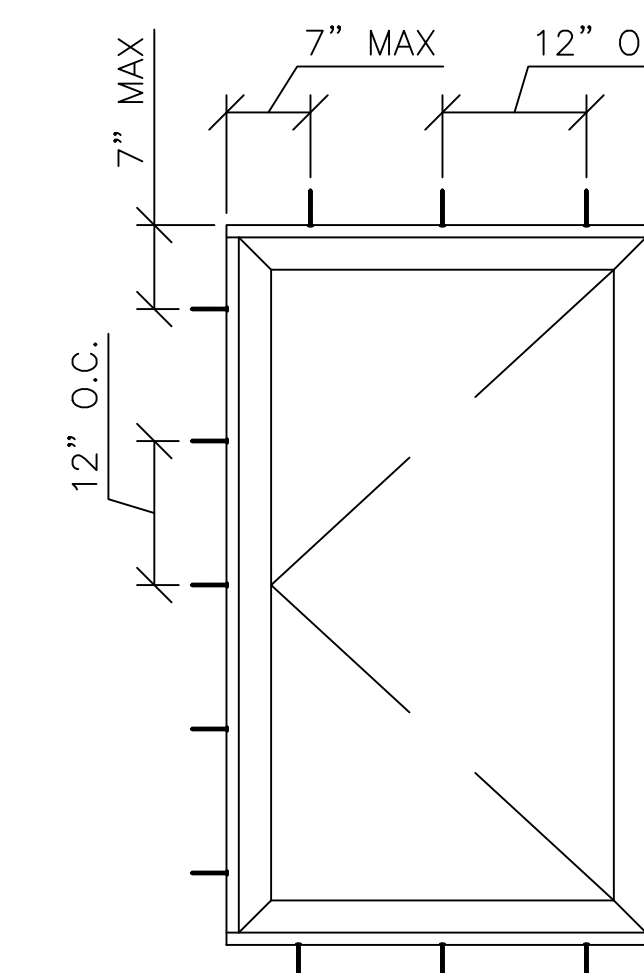
1. THE PRODUCT SHOWN HERIN IS DESIGNED AND MANUFACTURED TO COMPLY WITH THE CURRENT FLORIDA BUILDING CODE (FBC) EXCLUDING HVHZ.
2. ADEQUACY OF THE EXISTING STRUCTURAL CONCRETE/MASONRY AND 2X FRAMING AS A MAIN WIND FORCE RESISTING SYSTEM CAPABLE OF WITHSTANDING AND TRANSFERRING APPLIED PRODUCT LOADS TO THE FOUNDATION IS THE RESPONSIBILITY OF THE ENGINEER OR ARCHITECT OF RECORD FOR THE PROJECT OF INSTALLATION.
3. 1X AND 2X BUCKS (WHEN USED) SHALL BE DESIGNED AND ANCHORED TO PROPERLY TRANSFER ALL LOADS TO THE STRUCTURE. BUCK DESIGN AND INSTALLATION IS THE RESPONSIBILITY OF THE ENGINEER OR ARCHITECT OF RECORD FOR THE PROJECT OF INSTALLATION.
4. THE INSTALLATION DETAILS DESCRIBED HEREIN ARE GENERIC AND MAY NOT REFLECT ACTUAL CONDITIONS FOR A SPECIFIC SITE. IF SITE CONDITIONS CAUSE INSTALLATION TO DEVIATE FROM THE REQUIREMENTS DETAILED HERIN, A LICENSED ENGINEER OR ARCHITECT SHALL PREPARE SITE SPECIFIC DOCUMENTS FOR USE WITH THIS DOCUMENT.
5. APPROVED IMPACT PROTECTIVE SYSTEM **IS REQUIRED** ON THIS PRODUCT IN AREAS REQUIRING IMPACT RESISTANCE.
6. GLASS MEETS THE REQUIREMENTS OF ASTM E1300 GLASS CHARTS.
7. DESIGNATIONS "X" AND "O" STAND FOR THE FOLLOWING:
 X: OPERABLE PANEL
 O: FIXED PANEL

INSTALLATION NOTES:

1. ONE INSTALLATION ANCHOR IS REQUIRED AT EACH ANCHOR LOCATION SHOWN.
2. THE NUMBER OF INSTALLATION ANCHORS DEPICTED IS THE MINIMUM NUMBER OF ANCHORS TO BE USED FOR THE PRODUCT INSTALLATION.
3. INSTALL INDIVIDUAL INSTALLATION ANCHORS WITHIN A TOLERANCE OF +/-1/2 INCH OF THE DEPICTED LOCATION IN THE ANCHOR LAYOUT DETAIL (I.E., WITHOUT CONSIDERATION OF TOLERANCES). TOLERANCES ARE NOT CUMULATIVE FROM ONE INSTALLATION ANCHOR TO THE NEXT.
4. SHIM AS REQUIRED AT EACH INSTALLATION ANCHOR WITH LOAD BEARING SHIM(S). MAXIMUM ALLOWABLE SHIM STACK TO BE 1/4 INCH. SHIM WHERE SPACE OF 1/16 INCH OR GREATER OCCURS. SHIM(S) SHALL BE CONSTRUCTED OF HIGH DENSITY PLASTIC OR BETTER.
5. FOR INSTALLATION INTO WOOD FRAMING USE #10 WOOD SCREWS OF SUFFICIENT LENGTH TO ACHIEVE 1 1/2 INCH MINIMUM EMBEDMENT INTO WOOD SUBSTRATE.
6. FOR INSTALLATION THROUGH 1X BUCK TO CONCRETE/MASONRY, OR DIRECTLY INTO CONCRETE/MASONRY, USE 3/16 INCH DIAMETER ITW TAPCONS OF SUFFICIENT LENGTH TO ACHIEVE 1 1/4 INCH MINIMUM EMBEDMENT.
7. FOR INSTALLATION INTO STEEL STUD FRAMING USE #10 SELF-TAPPING SCREWS OF SUFFICIENT LENGTH TO ACHIEVE 3 THREADS OF MINIMUM ENGAGEMENT BEYOND STEEL STUD SUBSTRATE.
8. MINIMUM EMBEDMENT AND EDGE DISTANCE EXCLUDE WALL FINISHES, INCLUDING BUT NOT LIMITED TO STUCCO, FOAM, BRICKVENEER, AND SIDING.
9. INSTALLATION ANCHORS AND ASSOCIATED HARDWARE MUST BE MADE OF CORROSION RESISTANT MATERIAL OR HAVE A CORROSION RESISTANT COATING.
10. FOR HOLLOW BLOCK AND GROUT FILLED BLOCK, DO NOT INSTALL INSTALLATION ANCHORS INTO MORTAR JOINTS. EDGE DISTANCE IS MEASURED FROM FREE EDGE OF BLOCK OR EDGE OF MORTAR JOINT INTO FACE OF SHELL OF BLOCK.
11. INSTALLATION ANCHORS SHALL BE INSTALLED IN ACCORDANCE WITH ANCHOR MANUFACTURER'S INSTALLATION INSTRUCTIONS AND ANCHORS SHALL NOT BE USED IN SUBSTRATES WITH STRENGTHS LESS THAN THE MINIMUM STRENGTH SPECIFIED BY THE ANCHOR MANUFACTURER.
12. INSTALLATION ANCHOR CAPACITIES FOR PRODUCTS HERIN ARE BASED ON SUBSTRATE MATERIALS WITH THE FOLLOWING PROPERTIES:
 - A. WOOD - MINIMUM SPECIFIC GRAVITY OF 0.55.
 - B. CONCRETE - MINIMUM COMPRESSIVE STRENGTH OF 3000 PSI.
 - C. MASONRY - STRENGTH CONFORMANCE TO ASTM C-90 WITH MINIMUM COMPRESSIVE YIELD STRENGTH OF 2000 PSI.
 - D. STEEL - MINIMUM TENSILE YIELD STRENGTH OF 33 KSI. MINIMUM WALL THICKNESS OF 49 MILS. (18 GAUGE)



EXTERIOR ELEVATION



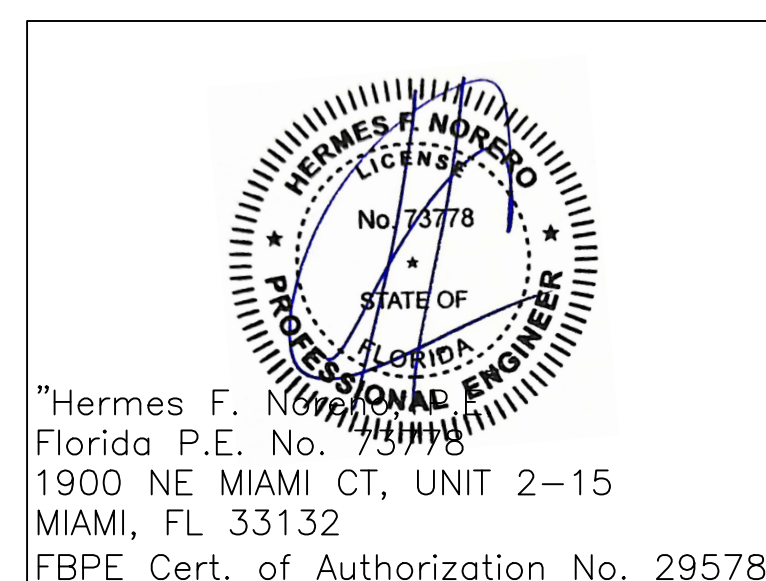
ANCHOR LAYOUT

TEST REQUIREMENTS	
DESIGN PRESSURE	+/- 95 PSF
TEST TYPE	STRUCTURAL

CORNER CONSTRUCTION
BUTT, SECURED WITH TWO (2) #8 X 1" PHILLIPS PAN HEAD CAD PLATED TYPE "A" SCREWS AND SEALED WITH SCHNEE-MOREHEAD 5504 SEALANT

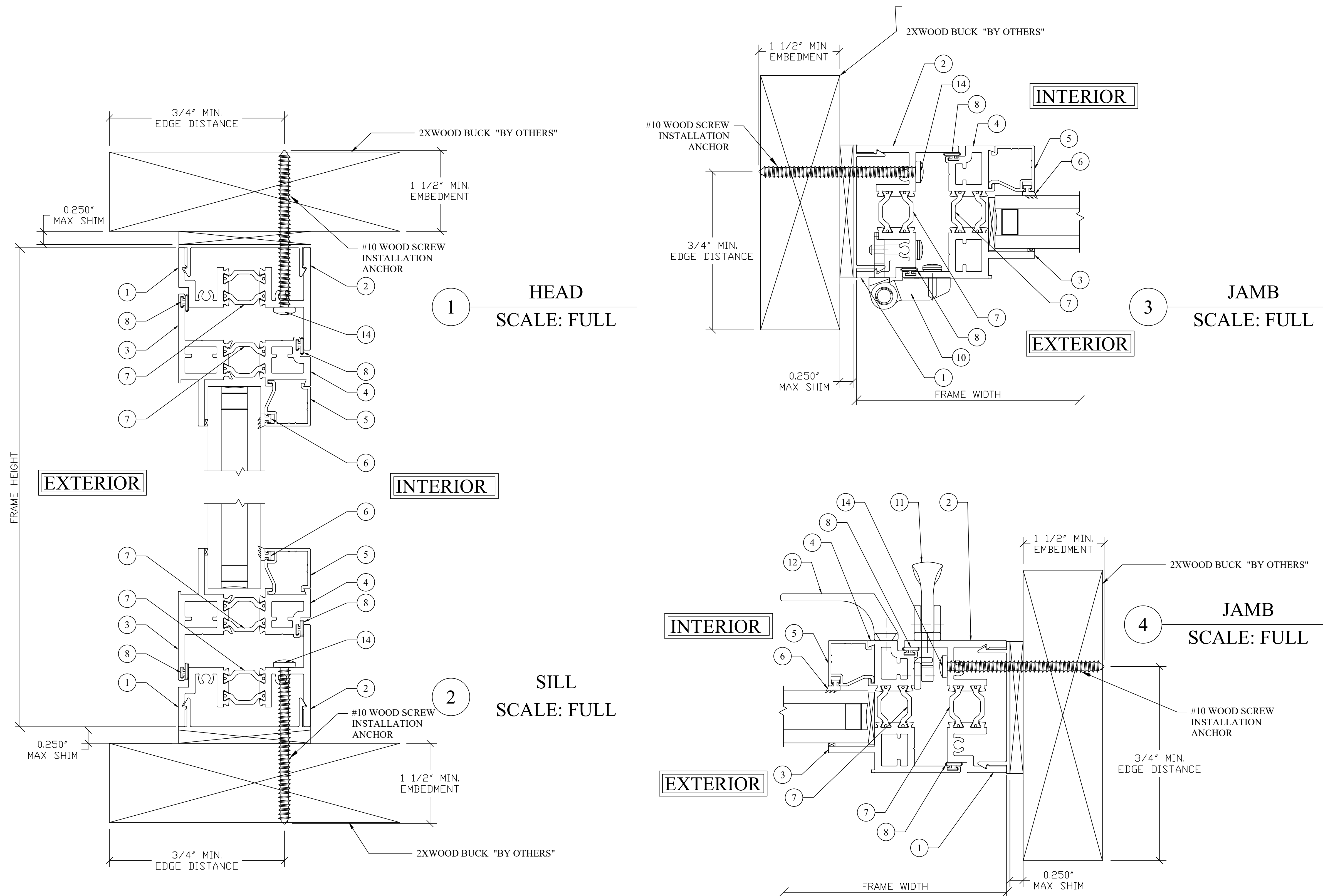
GENERAL NOTES	
SERIES	E2500/E3250/E4000 CASEMENT OUT (1 LITE)
FINISH	ANY
PANELS	NONE
SCREENS	NONE
GLAZING	INSULATED GLASS ANNEALED

NOTE: DRAWINGS TO SCALE ON 24 X 36 PAPER ONLY



400 AMBASSADOR ROW
LONGVIEW, TX 75604
PHONE: (979) 823-6557
FAX: (979) 823-1005

MEMO NO.	8032-12	REVISIONS		SCALE	DETAILS: FULL ELEV: 3/4" = 1"
DESCRIPTION:	E2500/E3250/E4000 CASEMENT OUT ELEVATIONS	A	EDITED DETAILS TO 2010	2/13/14	DRAWN BY: JKY DATE DRAWN: 10/31/13 PAGE NO. 1 OF 7
		B	ADDED E3250 AND E4000	5/6/14	
		C	UPDATE NOTES	11/23/20	
		D	UPDATE ADDRESSES AND NOTES	1/26/24	



NOTE: DRAWINGS TO SCALE ON 24 X 36 PAPER ONLY

Hermes F. Norberto
 Florida P.E. No. 75778
 1900 NE MIAMI CT, UNIT 2-15
 MIAMI, FL 33132
 FBPE Cert. of Authorization No. 29578"

ALL SEASONS
COMMERCIAL WINDOWS & DOORS

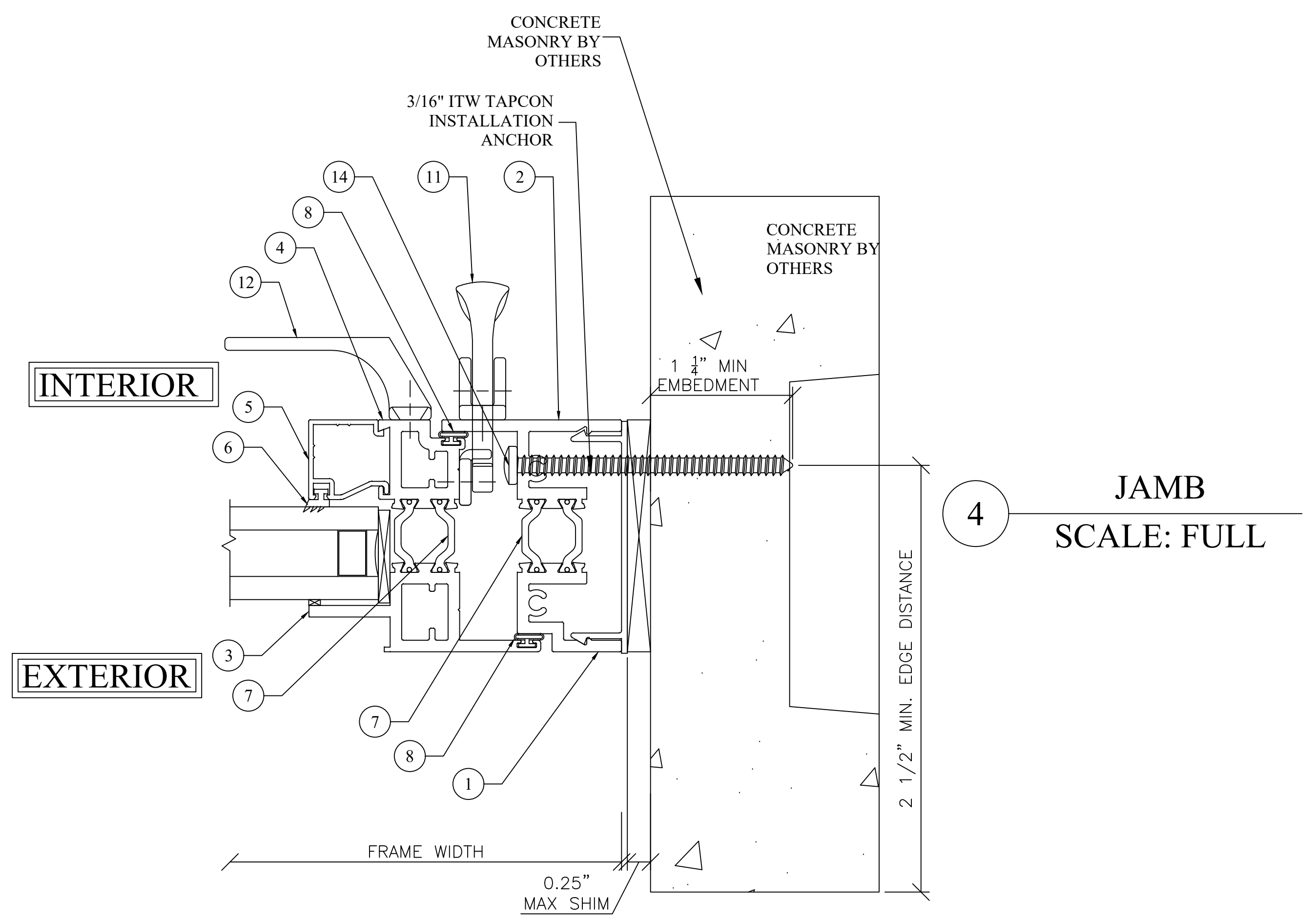
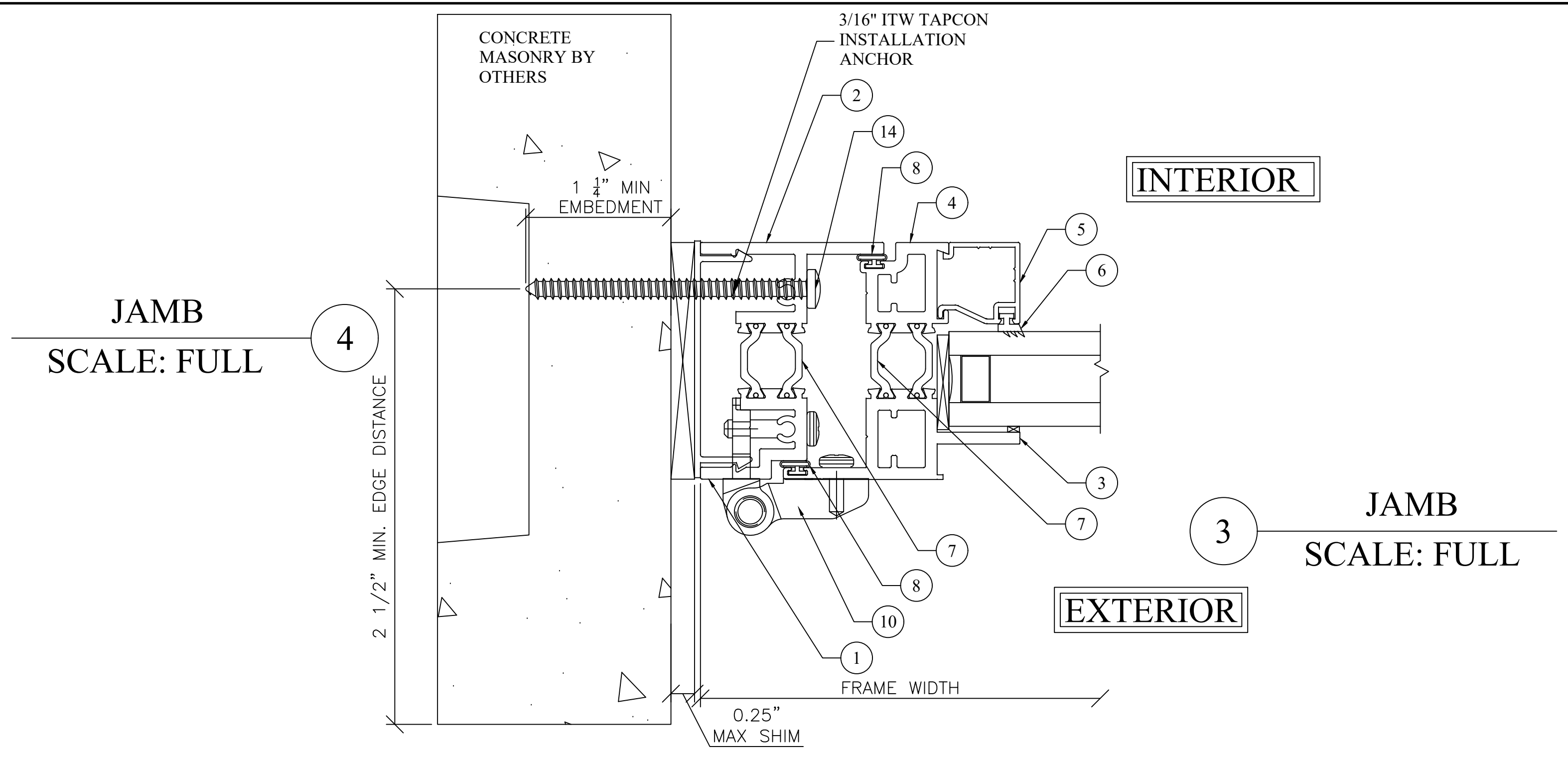
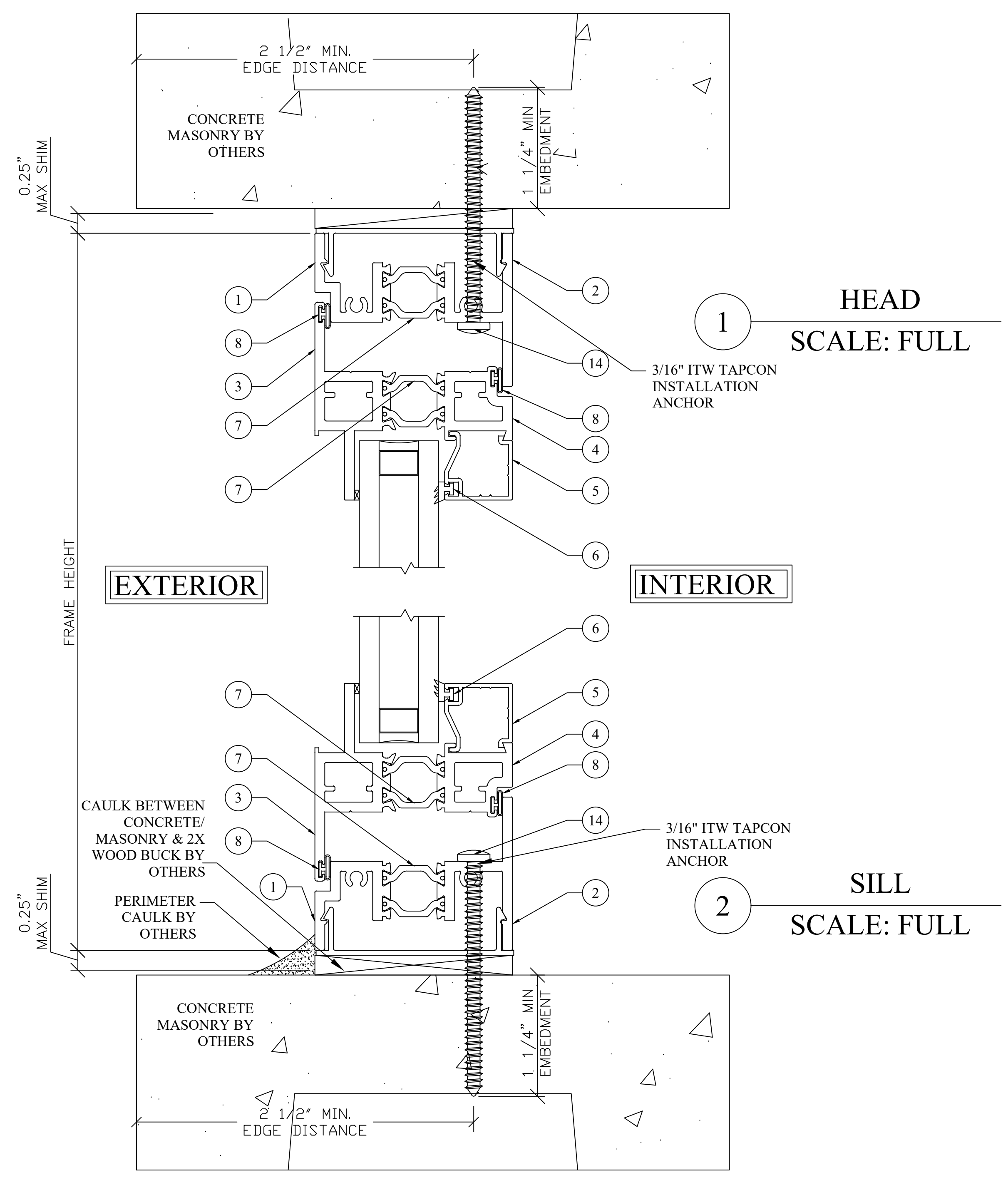
400 AMBASSADOR ROW
 LONGVIEW, TX 75604
 PHONE: (979) 823-6557
 FAX: (979) 823-1005

MEMO NO. 8032-12

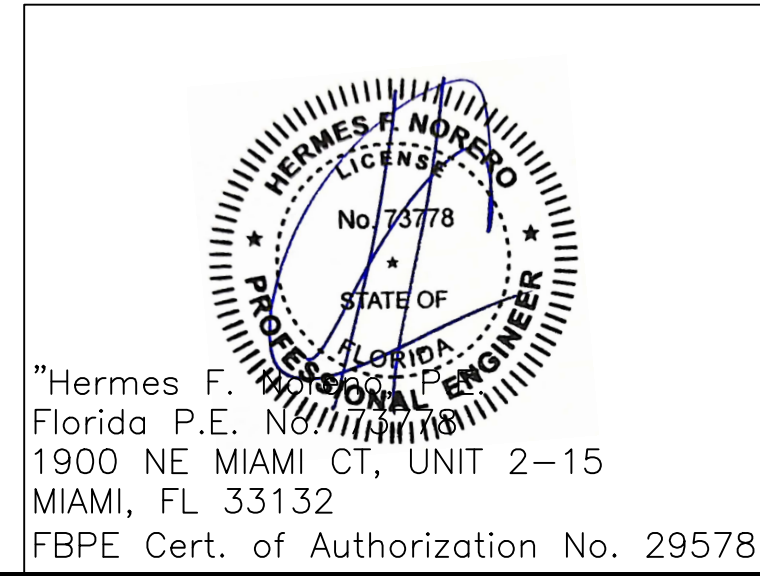
DESCRIPTION:
 E2500/E3250/E4000 CASEMENT OUT
 WOOD SUBSTRATE

REVISIONS		
A	EDITED DETAILS TO 2010	2/13/14
B	ADDED E3250 AND E4000	5/6/14
C	UPDATE NOTES	11/23/20
D	UPDATE ADDRESSES AND NOTES	1/26/24

SCALE	DETAILS: FULL ELEV: 3/4" = 1'
DRAWN BY:	JKY
DATE DRAWN:	10/31/13
PAGE NO.	2 OF 7



NOTE: DRAWINGS TO SCALE ON 24 X 36 PAPER ONLY



400 AMBASSADOR ROW
LONGVIEW, TX 75604
PHONE: (979) 823-6557
FAX: (979) 823-1005

MEMO NO. 8032-12
DESCRIPTION:
E2500/E3250/E4000 CASEMENT OUT
BOM AND DIES

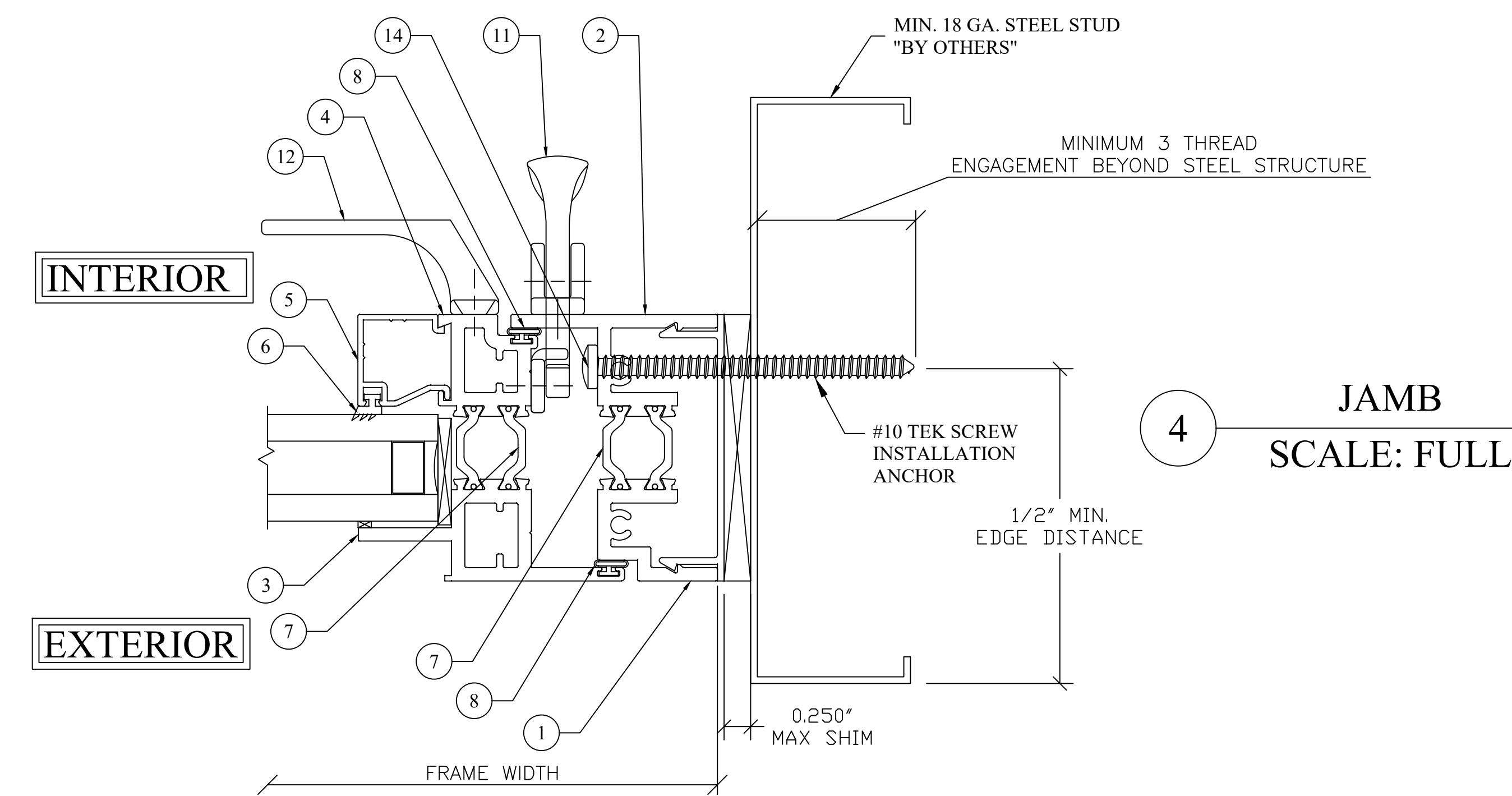
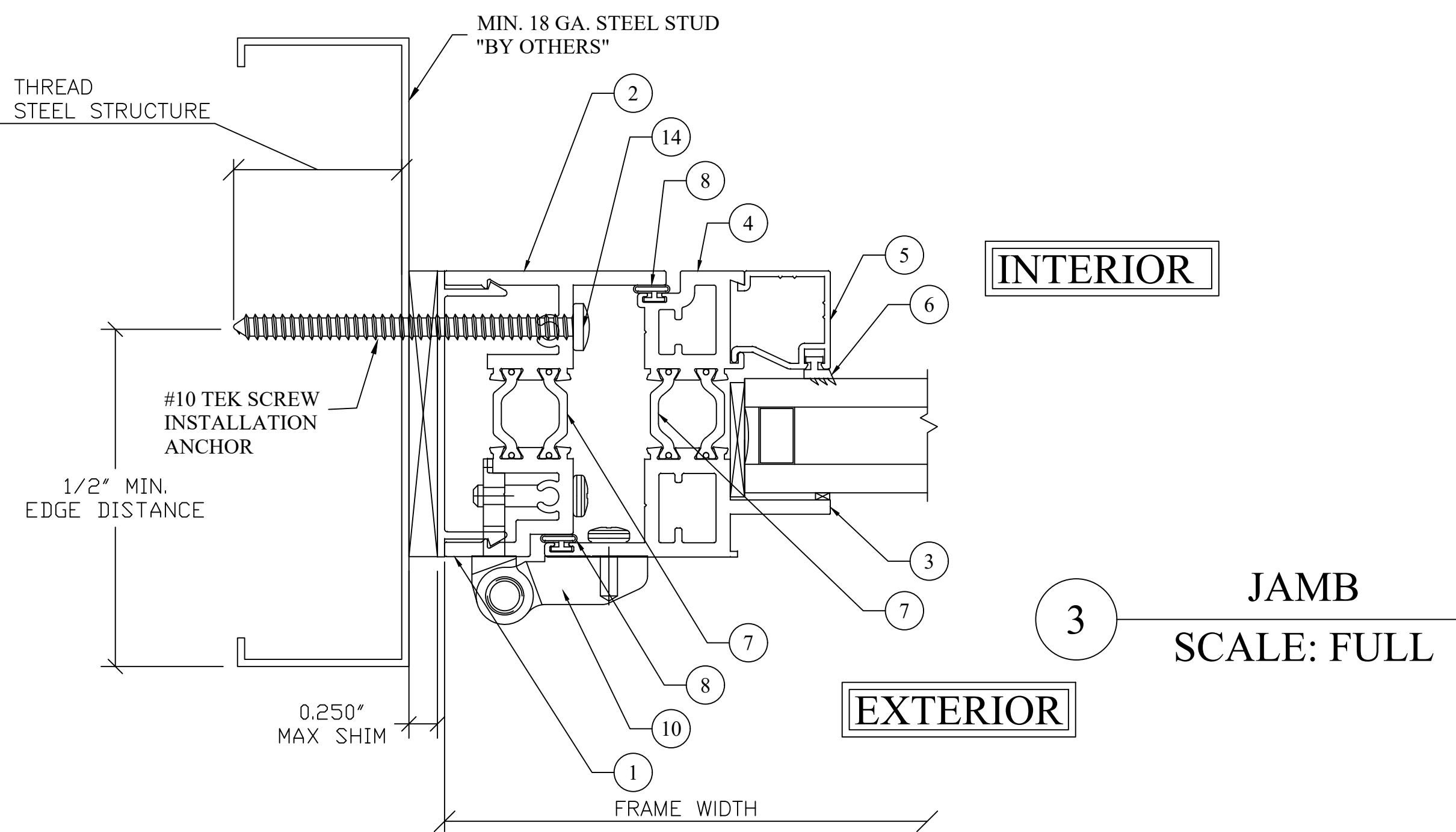
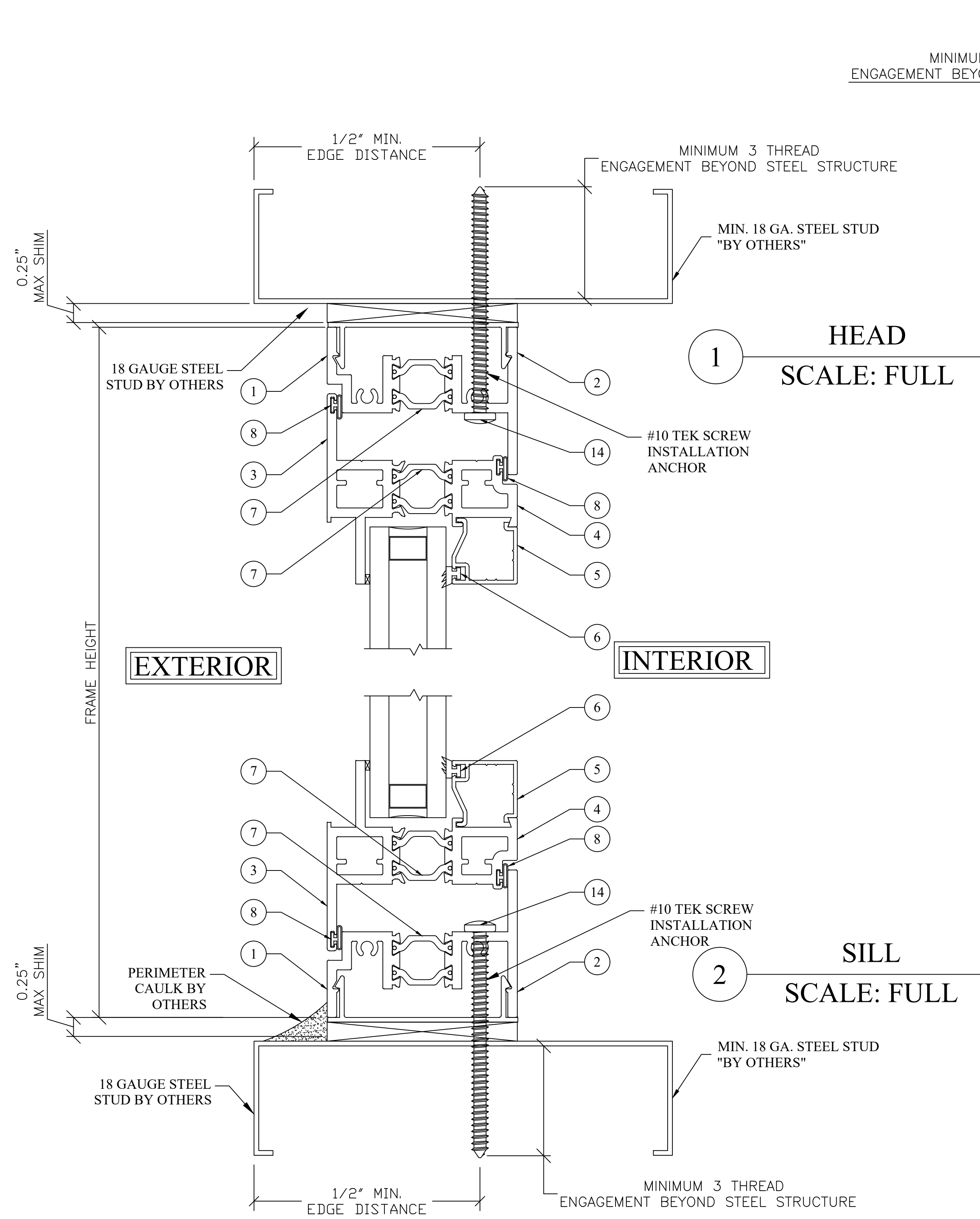
REVISIONS		
A	EDITED DETAILS TO 2010	2/13/14
B	ADDED E3250 AND E4000	5/6/14
C	UPDATE NOTES	11/23/20
D	UPDATE ADDRESSES AND NOTES	1/26/24

SCALE DETAILS: FULL
ELEV: 3/4" = 1"

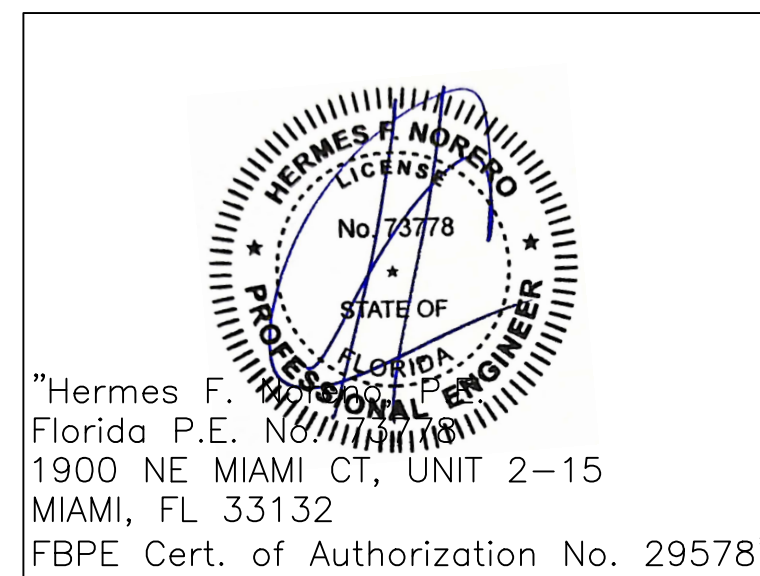
DRAWN BY: JKY

DATE DRAWN: 10/31/13

PAGE NO. 3 OF 7



NOTE: DRAWINGS TO SCALE ON 24 X 36 PAPER ONLY



ALL SEASONS
COMMERCIAL WINDOWS & DOORS

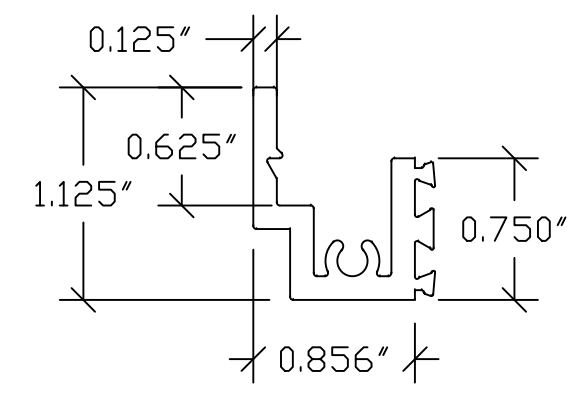
400 AMBASSADOR ROW
 LONGVIEW, TX 75604
 PHONE: (979) 823-6557
 FAX: (979) 823-1005

MEMO NO. 8032-12

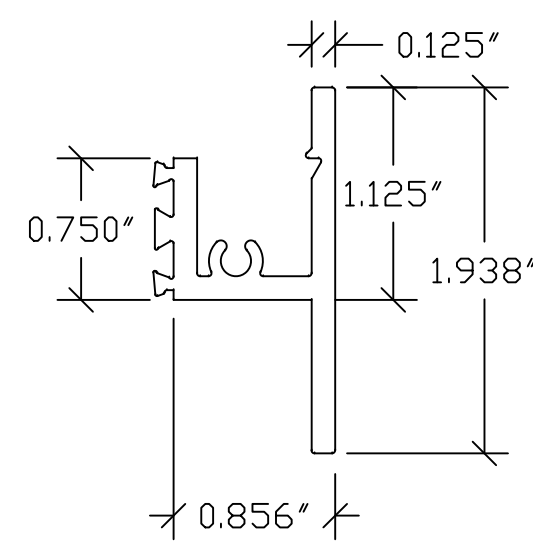
DESCRIPTION:
 E2500/E3250/E4000 CASEMENT OUT
 BOM AND DIES

REVISIONS		
A	EDITED DETAILS TO 2010	/2/13/14
B	ADDED E3250 AND E4000	5/6/14
C	UPDATE NOTES	11/23/20
D	UPDATE ADDRESSES AND NOTES	1/26/24

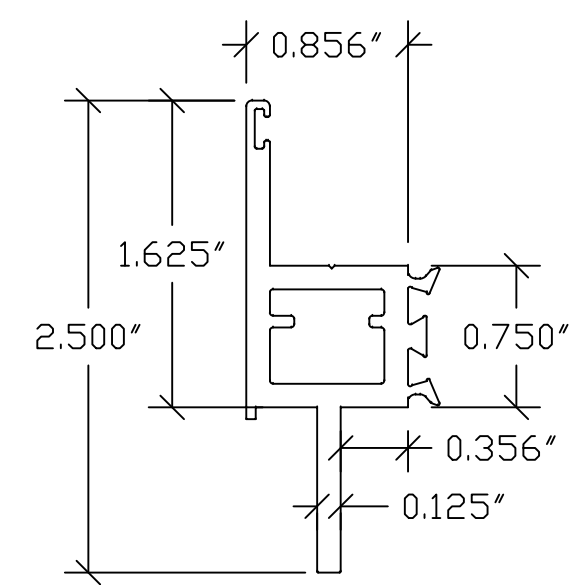
SCALE	DETAILS: FULL ELEV: 3/4" = 1"
DRAWN BY:	JKY
DATE DRAWN:	10/31/13
PAGE NO.	4 OF 7



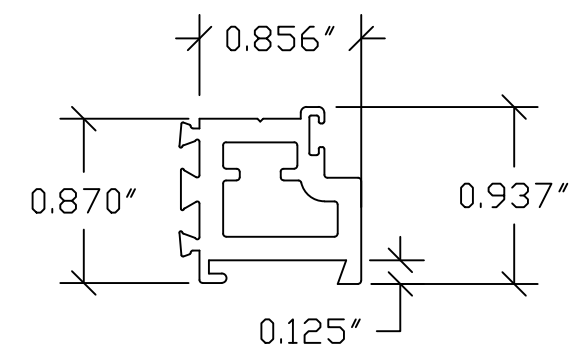
① FRAME EXTERIOR



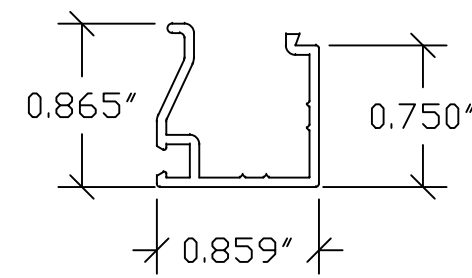
② FRAME INTERIOR



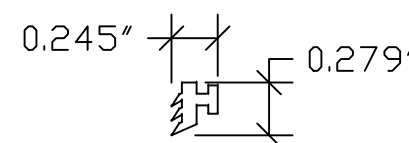
③ VENT EXTERIOR



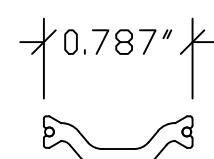
④ VENT INTERIOR



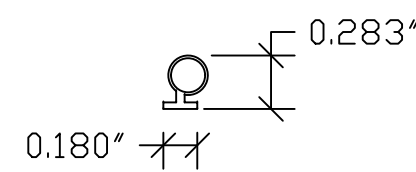
⑤ GLAZING BEAD



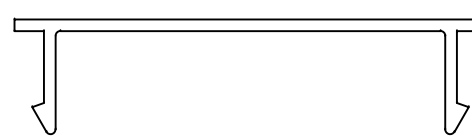
⑥ GLAZING VINYL



⑦ 20mm STRUT

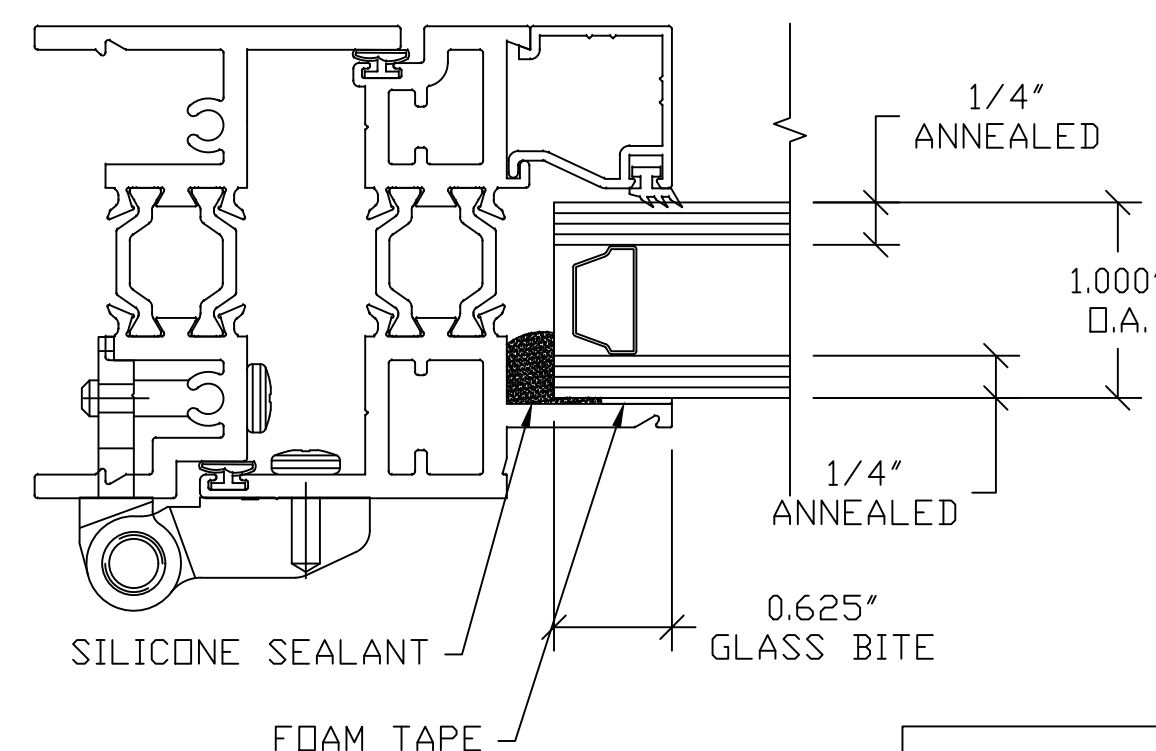


⑧ BULB VINYL

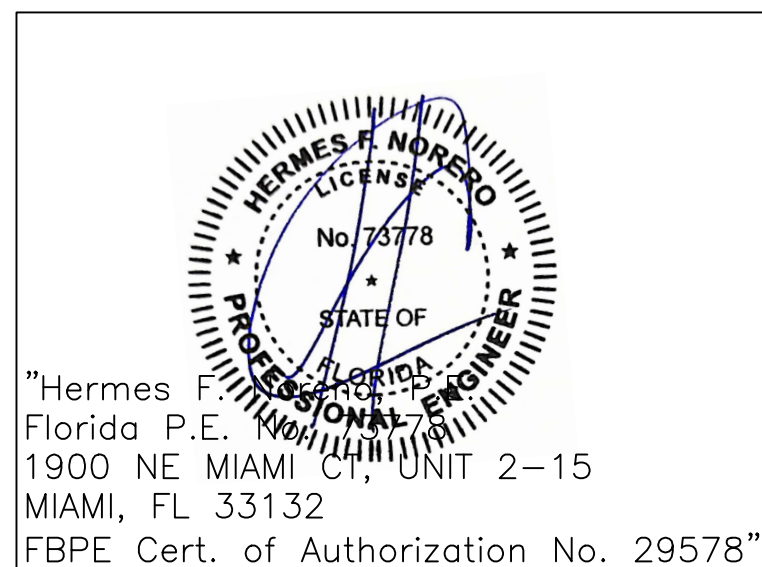


⑮ SHEAR CLIP ALUMINUM 6063-T5

GLAZING DETAIL:



NOTE: "GLASS TYPE AND THICKNESS MAY VARY ACCORDING TO THE ASTM E1300 GLASS CHART REQUIREMENTS"



400 AMBASSADOR ROW
LONGVIEW, TX 75604
PHONE: (979) 823-6557
FAX: (979) 823-1005

NOTE: DRAWINGS TO SCALE ON 24 X 36 PAPER ONLY

EXTRUSIONS

ITEM NO.	PART NO.	ITEM DESCRIPTION	MANUFACTURER / NOTES
1	10889	FRAME EXTERIOR	6063-T5 ALUMINUM
2	10885	FRAME INTERIOR	6063-T5 ALUMINUM
3	11886	VENT EXTERIOR	6063-T5 ALUMINUM
4	11883	VENT INTERIOR	6063-T5 ALUMINUM
5	11880	GLAZING BEAD	6063-T5 ALUMINUM
6	V-414	GLAZING VINYL	SOFT PVC
7	66108802	20mm THERMAL STRUT	ENSINGER
8	V-537	BULB VINYL	SOFT PVC
15	-	SHEAR CLIP	6063-T5 ALUMINUM

SEALS & SEALANTS

ITEM NO.	PART NO.	ITEM DESCRIPTION	MANUFACTURER / NOTES
9	----	SEAM SEALANT	SCHNEE MOREHEAD 2205

HARDWARE

ITEM NO.	PART NO.	ITEM DESCRIPTION	MANUFACTURER / NOTES
10	66108841	BUTT HINGE	
11	66108861	BASE LOCK BAR	BRONZECRAFT
12	66107049	PULL HANDLE	BRONZECRAFT

MISC. FASTENERS

ITEM NO.	PART NO.	ITEM DESCRIPTION	MANUFACTURER / NOTES
13	66103392	#8 - 15 X 1" PH PN HD 'A' CAD SCREW	FRAME ASSEMBLY SCREW
14	----		INSTALLATION ANCHOR

MEMO NO. 8032-12

DESCRIPTION:
E2500 CASEMENT OUT BOM AND DIES

REVISIONS

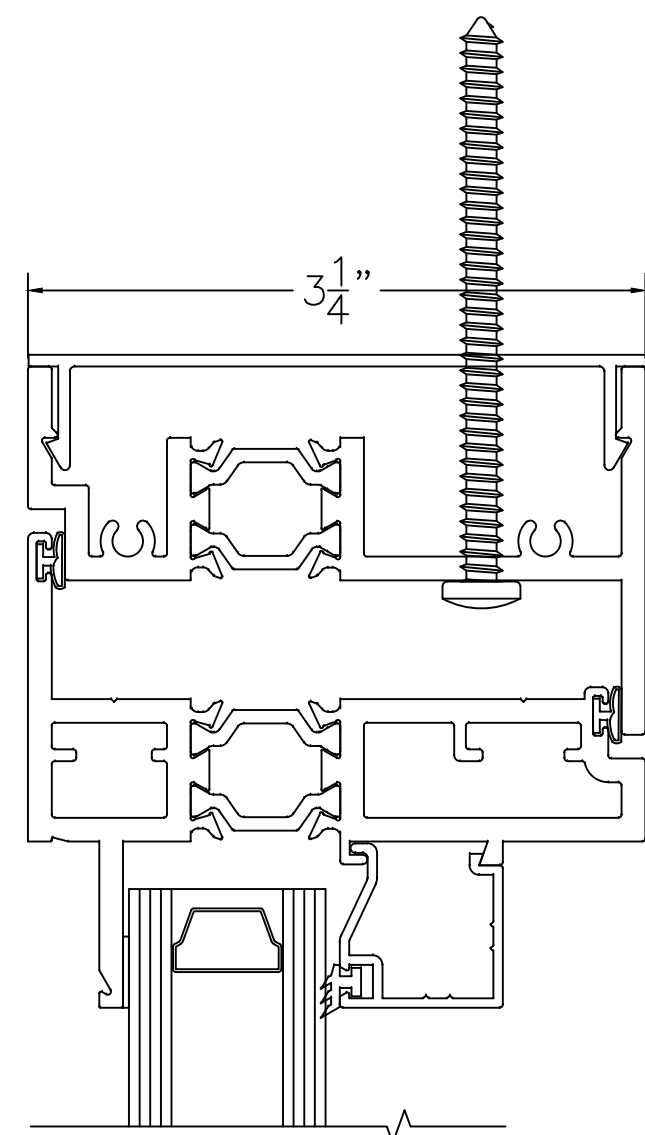
REVISION	DESCRIPTION	DATE
A	EDITED DETAILS TO 20120	2/13/14
B	ADDED E3250 AND E4000	5/6/14
C	UPDATE NOTES	11/23/20
D	UPDATE ADDRESSES AND NOTES	1/26/24

SCALE DETAILS: FULL ELEV: 3/4" = 1"

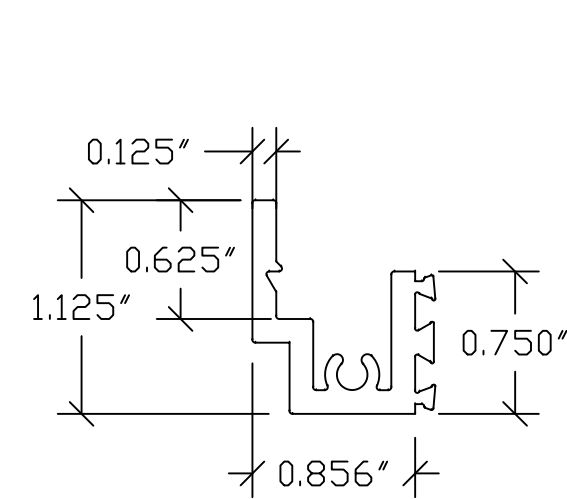
DRAWN BY: JKY

DATE DRAWN: 10/31/13

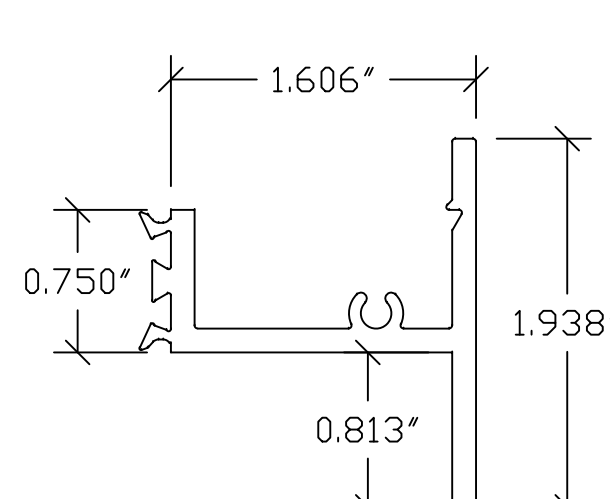
PAGE NO. 5 OF 7



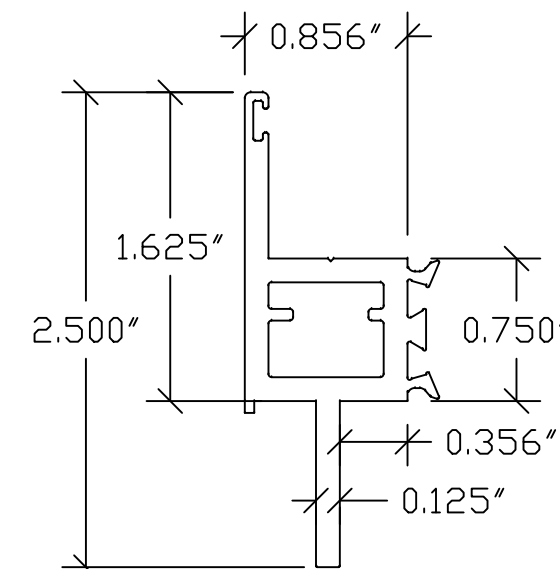
E3250 - 3/4" Frame window installation anchor placement shown. Reference previous pages for anchor type and spacing based on substrate installed into.



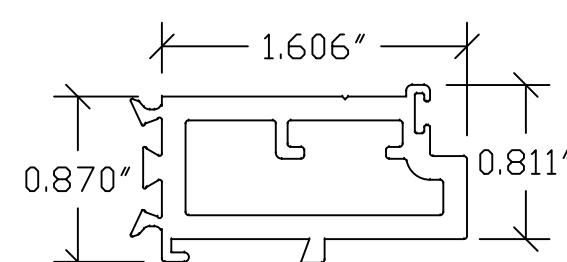
① FRAME EXTERIOR



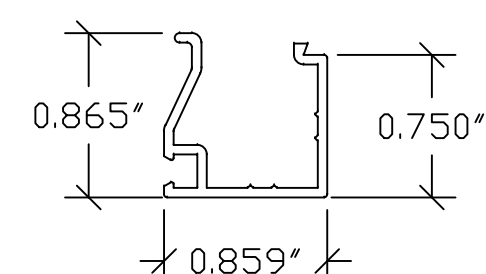
② FRAME INTERIOR



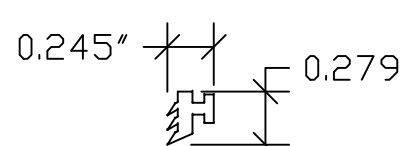
③ VENT EXTERIOR



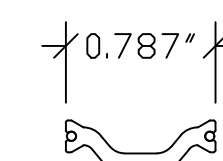
④ VENT INTERIOR



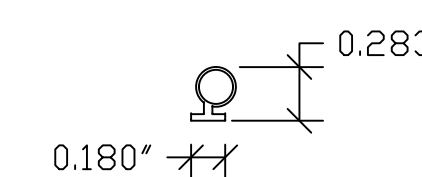
⑤ GLAZING BEAD



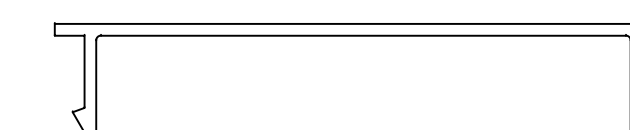
⑥ GLAZING VINYL



⑦ 20mm STRUT



⑧ BULB VINYL



⑮ SHEAR CLIP ALUMINUM 6063-T5

EXTRUSIONS

ITEM NO.	PART NO.	ITEM DESCRIPTION	MANUFACTURER / NOTES
1	10889	FRAME EXTERIOR	6063-T5 ALUMINUM
2	12058	FRAME INTERIOR	6063-T5 ALUMINUM
3	11886	VENT EXTERIOR	6063-T5 ALUMINUM
4	12060	VENT INTERIOR	6063-T5 ALUMINUM
5	11880	GLAZING BEAD	6063-T5 ALUMINUM
6	V-414	GLAZING VINYL	SOFT PVC
7	66108802	20mm THERMAL STRUT	ENSINGER
8	V-537	BULB VINYL	SOFT PVC
15		SHEAR CLIP	6063-T5 ALUMINUM

SEALS & SEALANTS

ITEM NO.	PART NO.	ITEM DESCRIPTION	MANUFACTURER / NOTES
9	----	SEAM SEALANT	SCHNEE MOREHEAD 2205

HARDWARE

ITEM NO.	PART NO.	ITEM DESCRIPTION	MANUFACTURER / NOTES
10	66108841	BUTT HINGE	
11	66108861	BASE LOCK BAR	BRONZECRAFT
12	66107049	PULL HANDLE	BRONZECRAFT

MISC. FASTENERS

ITEM NO.	PART NO.	ITEM DESCRIPTION	MANUFACTURER / NOTES
13	66103392	#8 - 15 X 1" PH PN HD 'A' CAD SCREW	FRAME ASSEMBLY SCREW
14	----		INSTALLATION ANCHOR

NOTE: DRAWINGS TO SCALE ON 24 X 36 PAPER ONLY

Hermes F. Norberto
Florida P.E. No. 75778
1900 NE MIAMI CT, UNIT 2-15
MIAMI, FL 33132
FBPE Cert. of Authorization No. 29578"

ALL SEASONS
COMMERCIAL WINDOWS & DOORS

400 AMBASSADOR ROW
LONGVIEW, TX 75604
PHONE: (979) 823-6557
FAX: (979) 823-1005

MEMO NO. 8032-12

DESCRIPTION:
E3250 CASEMENT OUT
BOM AND DIES

REVISIONS

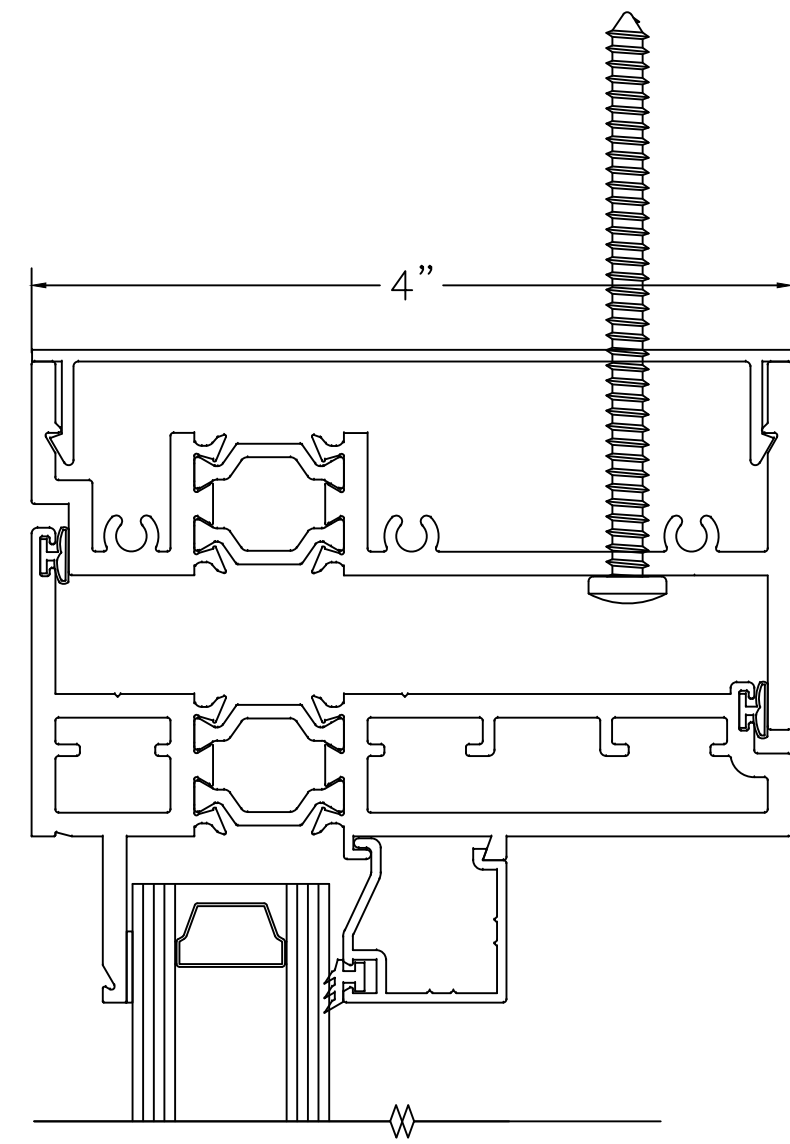
REVISION	DESCRIPTION	DATE
A	EDITED DETAILS TO 2010	2/13/14
B	ADDED E3250 AND E4000	5/6/14
C	UPDATE NOTES	11/23/20
D	UPDATE ADDRESSES AND NOTES	1/26/24

SCALE DETAILS: FULL ELEV: 3/4" = 1'

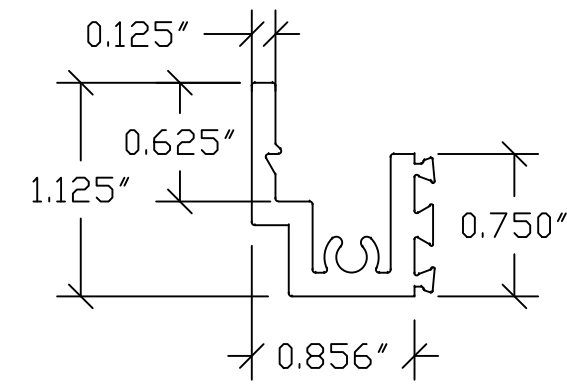
DRAWN BY: JKY

DATE DRAWN: 10/31/13

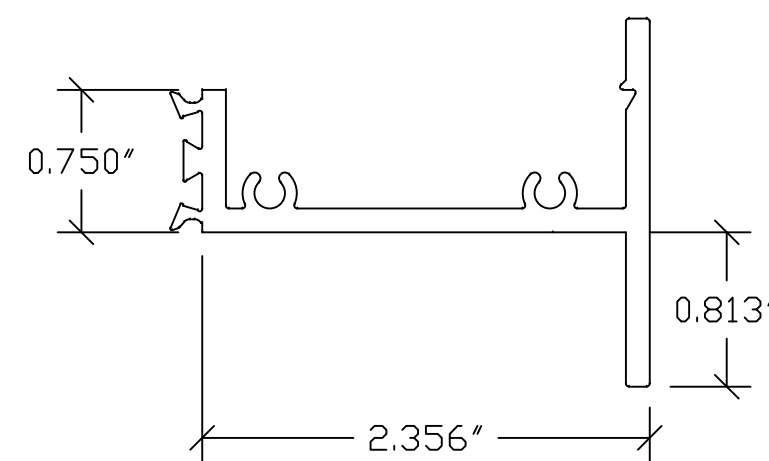
PAGE NO. 6 OF 7



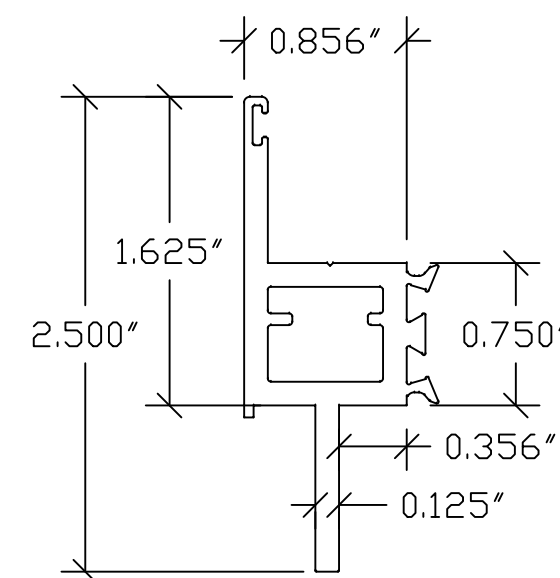
E4000 - 4" Frame window installation anchor placement shown. Reference previous pages for anchor type and spacing based on substrate installed into.



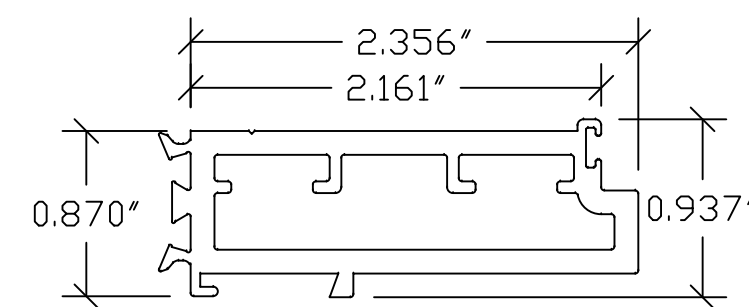
① FRAME EXTERIOR



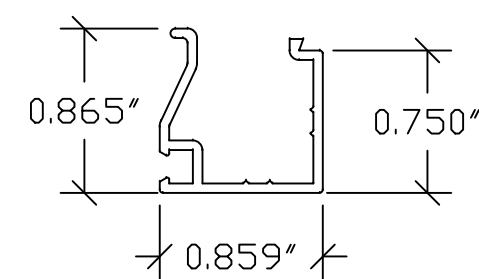
② FRAME INTERIOR



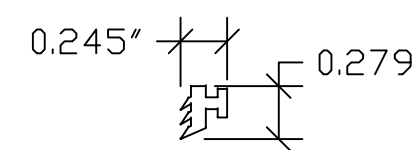
③ VENT EXTERIOR



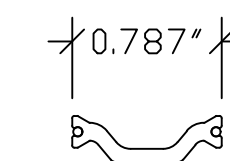
④ VENT INTERIOR



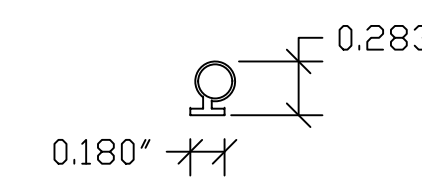
⑤ GLAZING BEAD



⑥ GLAZING VINYL



⑦ 20mm STRUT



⑧ BULB VINYL



⑮ SHEAR CLIP ALUMINUM 6063-T5

EXTRUSIONS

ITEM NO.	PART NO.	ITEM DESCRIPTION	MANUFACTURER / NOTES
1	10889	FRAME EXTERIOR	6063-T5 ALUMINUM
2	11955	FRAME INTERIOR	6063-T5 ALUMINUM
3	11886	VENT EXTERIOR	6063-T5 ALUMINUM
4	11956	VENT INTERIOR	6063-T5 ALUMINUM
5	11880	GLAZING BEAD	6063-T5 ALUMINUM
6	V-414	GLAZING VINYL	SOFT PVC
7	66108802	20mm THERMAL STRUT	ENSINGER
8	V-537	BULB VINYL	SOFT PVC
15		SHEAR CLIP	6063-T5 ALUMINUM

SEALS & SEALANTS

ITEM NO.	PART NO.	ITEM DESCRIPTION	MANUFACTURER / NOTES
9	----	SEAM SEALANT	SCHNEE MOREHEAD 2205

HARDWARE

ITEM NO.	PART NO.	ITEM DESCRIPTION	MANUFACTURER / NOTES
10	66108841	BUTT HINGE	
11	66108861	BASE LOCK BAR	BRONZECRAFT
12	66107049	PULL HANDLE	BRONZECRAFT

MISC. FASTENERS

ITEM NO.	PART NO.	ITEM DESCRIPTION	MANUFACTURER / NOTES
13	66103392	#8 - 15 X 1" PH PN HD 'A' CAD SCREW	FRAME ASSEMBLY SCREW
14	----		INSTALLATION ANCHOR

NOTE: DRAWINGS TO SCALE ON 24 X 36 PAPER ONLY

Hermes F. Norberto
Florida P.E. No. 75778
1900 NE MIAMI CT, UNIT 2-15
MIAMI, FL 33132
FBPE Cert. of Authorization No. 29578"

ALL SEASONS
COMMERCIAL WINDOWS & DOORS

400 AMBASSADOR ROW
LONGVIEW, TX 75604
PHONE: (979) 823-6557
FAX: (979) 823-1005

MEMO NO. 8032-12

DESCRIPTION:
E4000 CASEMENT OUT
BOM AND DIES

REVISIONS

REVISION	DESCRIPTION	DATE
A	EDITED DETAILS TO 2010	2/13/14
B	ADDED E3250 AND E4000	5/6/14
C	UPDATE NOTES	11/23/20
D	UPDATE ADDRESSES AND NOTES	1/26/24

SCALE DETAILS: FULL
ELEV: 3/4" = 1"

DRAWN BY: JKY

DATE DRAWN: 10/31/13

PAGE NO. 7 OF 7